

DIFFERENTIAL PRESSURE GAUGE TYPE PDD

TYPE PDD, diaphragm system with two measuring chambers

STANDARD MODEL

Features : single diaphragm system
static pressure max. 20 bar
corrosion resistance
two measuring chambers
over pressure safe upto 4 times measuring range

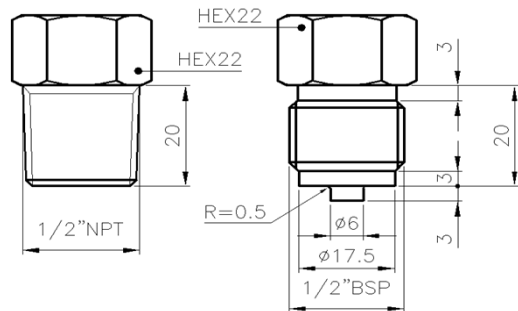
Wetted parts: diaphragm duratherm
AISI316; Viton (FKM); PTFE

Applications : flow measurement
petro-chemical industry
filter applications
general industry
shipping industry
oil and gas industry
off shore



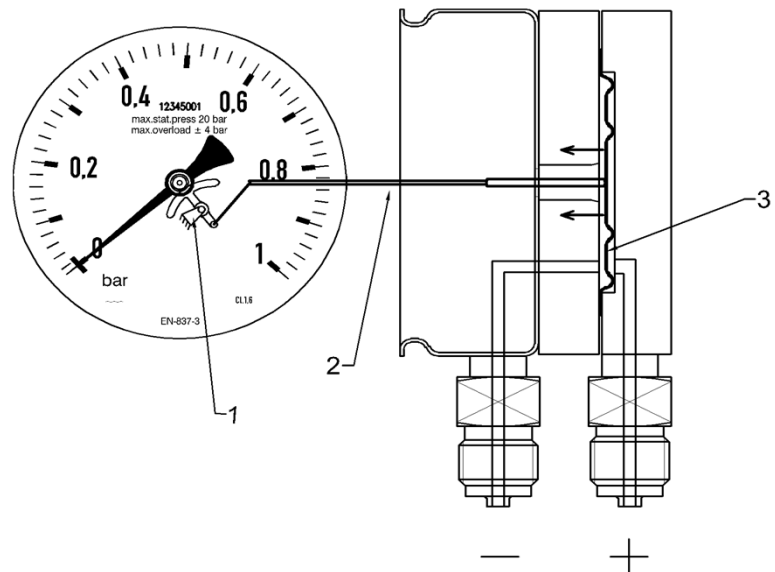
Example: PDD100XK

Range	Max. overload both sides	Max. static press
0 - 1 bar	4 bar	20 bar
0 - 1.6 bar	6.4 bar	20 bar
0 - 2.5 bar	10 bar	20 bar
0 - 4 bar	16 bar	20 bar
0 - 6 bar	20 bar	20 bar
0 - 10 bar	20 bar	20 bar
0 - 16 bar	20 bar	20 bar



Standard connections

Options : other connections
chemical seals
swivel adapters
manifolds
special dials



operating principle

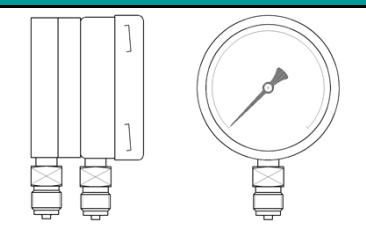
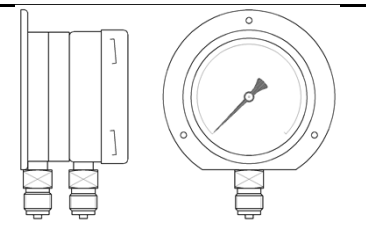
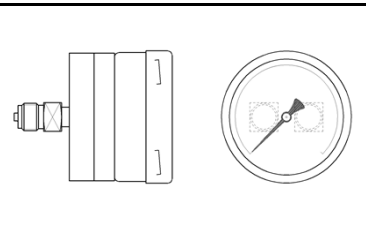
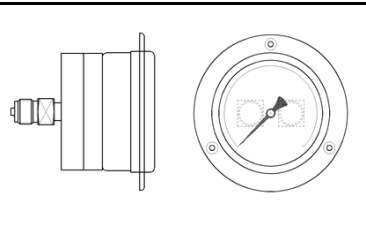
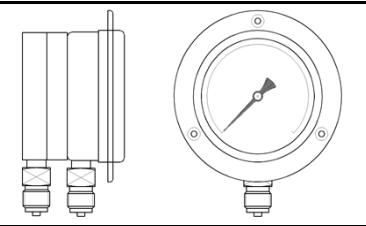
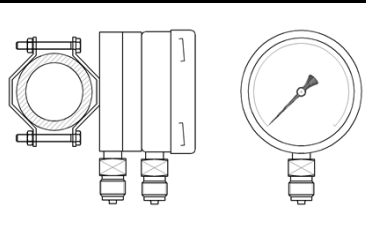
- 1 pointer mechanism
- 2 connecting rod
- 3 sensing diaphragm

STAINLESS STEEL DIFFERENTIAL PRESSURE GAUGE, TYPE PDD

TYPE PDD diaphragm system with two measuring chambers

STANDARD MODEL

CASE	: bayonet lock, AISI304/1.4301, IP-65	CONNECTION	: 2x ½"BSP or ½"NPT, AISI316L/1.4404
WETTED PARTS	: AISI316L/1.4404; diaphragm duratherm	MOVEMENT	: nickel plated brass
WINDOW	: safety glass	ACCURACY	: ± 2.5% F.S./class 2.5
DIAL	: aluminium, black figures on white	STATIC PRESSURE	: max. 4 times range; up to MAX 20 bar
POINTER	: aluminium, black	OPTIONS	: see page 57-58

TYPE	MODEL	CASE DIAMETER xxx (Ø in mm)	
		100	160
K		PDD100XK	PDD160XK
L		PDD100XL	PDD160XL
M		PDD100XM	PDD160XM
N		PDD100XN	PDD160XN
O		PDD100XO	PDD160XO
Y 2" Yoke vert. or hor.	 pipe: Ø44 - Ø70 mm	PDD100XY	PDD160XY

DIFFERENTIAL PRESSURE GAUGE TYPE PDD

TYPE	DRAWING	DIMENSIONS mm																													
K <i>PDDxxxXK</i>		<table border="1" style="margin-left: auto; margin-right: auto;"> <thead> <tr> <th rowspan="2">DIM.</th> <th colspan="2">CASE DIAMETER</th> </tr> <tr> <th>100</th> <th>160</th> </tr> </thead> <tbody> <tr> <td>A</td> <td>101.5</td> <td>162</td> </tr> <tr> <td>B</td> <td>80</td> <td>80</td> </tr> <tr> <td>C</td> <td>11</td> <td>11</td> </tr> <tr> <td>E</td> <td>89</td> <td>119</td> </tr> <tr> <td>T*</td> <td>20</td> <td>20</td> </tr> </tbody> </table> <p style="font-size: small; text-align: center;">* standard connection 1/2"BSP or 1/2"NPT</p>	DIM.	CASE DIAMETER		100	160	A	101.5	162	B	80	80	C	11	11	E	89	119	T*	20	20									
DIM.	CASE DIAMETER																														
	100	160																													
A	101.5	162																													
B	80	80																													
C	11	11																													
E	89	119																													
T*	20	20																													
L <i>PDDxxxXL</i>		<table border="1" style="margin-left: auto; margin-right: auto;"> <thead> <tr> <th rowspan="2">DIM.</th> <th colspan="2">CASE DIAMETER</th> </tr> <tr> <th>100</th> <th>160</th> </tr> </thead> <tbody> <tr> <td>A</td> <td>101.5</td> <td>162</td> </tr> <tr> <td>B</td> <td>83</td> <td>83</td> </tr> <tr> <td>C</td> <td>14</td> <td>14</td> </tr> <tr> <td>D</td> <td>132</td> <td>196</td> </tr> <tr> <td>E</td> <td>89</td> <td>119</td> </tr> <tr> <td>P</td> <td>116</td> <td>178</td> </tr> <tr> <td>H</td> <td>4,5</td> <td>6</td> </tr> <tr> <td>T*</td> <td>20</td> <td>20</td> </tr> </tbody> </table> <p style="font-size: small; text-align: center;">* standard connection 1/2"BSP or 1/2"NPT</p>	DIM.	CASE DIAMETER		100	160	A	101.5	162	B	83	83	C	14	14	D	132	196	E	89	119	P	116	178	H	4,5	6	T*	20	20
DIM.	CASE DIAMETER																														
	100	160																													
A	101.5	162																													
B	83	83																													
C	14	14																													
D	132	196																													
E	89	119																													
P	116	178																													
H	4,5	6																													
T*	20	20																													
M <i>PDDxxxXM</i>		<table border="1" style="margin-left: auto; margin-right: auto;"> <thead> <tr> <th rowspan="2">DIM.</th> <th colspan="2">CASE DIAMETER</th> </tr> <tr> <th>100</th> <th>160</th> </tr> </thead> <tbody> <tr> <td>A</td> <td>101.5</td> <td>162</td> </tr> <tr> <td>B</td> <td>80</td> <td>80</td> </tr> <tr> <td>E</td> <td>120</td> <td>120</td> </tr> <tr> <td>T*</td> <td>20</td> <td>20</td> </tr> </tbody> </table> <p style="font-size: small; text-align: center;">* standard connection 1/2"BSP or 1/2"NPT</p>	DIM.	CASE DIAMETER		100	160	A	101.5	162	B	80	80	E	120	120	T*	20	20												
DIM.	CASE DIAMETER																														
	100	160																													
A	101.5	162																													
B	80	80																													
E	120	120																													
T*	20	20																													

DIFFERENTIAL PRESSURE GAUGE TYPE PDD

TYPE	DRAWING	DIMENSIONS mm																																			
N <i>PDDxxxXN</i>		<table border="1" style="width: 100%; border-collapse: collapse;"> <thead> <tr style="background-color: #008080; color: white;"> <th rowspan="2">DIM.</th> <th colspan="2">CASE DIAMETER</th> </tr> <tr style="background-color: #008080; color: white;"> <th>100</th> <th>160</th> </tr> </thead> <tbody> <tr><td>A</td><td>101.5</td><td>162</td></tr> <tr><td>B</td><td>80</td><td>80</td></tr> <tr><td>D</td><td>132</td><td>196</td></tr> <tr><td>E</td><td>120</td><td>120</td></tr> <tr><td>F</td><td>3,5</td><td>3</td></tr> <tr><td>G</td><td>13</td><td>15,5</td></tr> <tr><td>H</td><td>4,5</td><td>6</td></tr> <tr><td>P</td><td>116</td><td>178</td></tr> <tr><td>T*</td><td>20</td><td>20</td></tr> </tbody> </table> <p style="text-align: center; font-size: small;">* standard connection 1/2"BSP or 1/2"NPT</p>	DIM.	CASE DIAMETER		100	160	A	101.5	162	B	80	80	D	132	196	E	120	120	F	3,5	3	G	13	15,5	H	4,5	6	P	116	178	T*	20	20			
DIM.	CASE DIAMETER																																				
	100	160																																			
A	101.5	162																																			
B	80	80																																			
D	132	196																																			
E	120	120																																			
F	3,5	3																																			
G	13	15,5																																			
H	4,5	6																																			
P	116	178																																			
T*	20	20																																			
O <i>PDDxxxXO</i>		<table border="1" style="width: 100%; border-collapse: collapse;"> <thead> <tr style="background-color: #008080; color: white;"> <th rowspan="2">DIM.</th> <th colspan="2">CASE DIAMETER</th> </tr> <tr style="background-color: #008080; color: white;"> <th>100</th> <th>160</th> </tr> </thead> <tbody> <tr><td>A</td><td>101.5</td><td>162</td></tr> <tr><td>B</td><td>80</td><td>80</td></tr> <tr><td>C</td><td>11</td><td>11</td></tr> <tr><td>D</td><td>132</td><td>196</td></tr> <tr><td>E</td><td>89</td><td>119</td></tr> <tr><td>F</td><td>3,5</td><td>3</td></tr> <tr><td>G</td><td>13</td><td>15,5</td></tr> <tr><td>H</td><td>4,5</td><td>6</td></tr> <tr><td>P</td><td>116</td><td>178</td></tr> <tr><td>T*</td><td>20</td><td>20</td></tr> </tbody> </table> <p style="text-align: center; font-size: small;">* standard connection 1/2"BSP or 1/2"NPT</p>	DIM.	CASE DIAMETER		100	160	A	101.5	162	B	80	80	C	11	11	D	132	196	E	89	119	F	3,5	3	G	13	15,5	H	4,5	6	P	116	178	T*	20	20
DIM.	CASE DIAMETER																																				
	100	160																																			
A	101.5	162																																			
B	80	80																																			
C	11	11																																			
D	132	196																																			
E	89	119																																			
F	3,5	3																																			
G	13	15,5																																			
H	4,5	6																																			
P	116	178																																			
T*	20	20																																			
Y <i>PDDxxxXY</i> pipe size: Ø44 - Ø70 mm		<table border="1" style="width: 100%; border-collapse: collapse;"> <thead> <tr style="background-color: #008080; color: white;"> <th rowspan="2">DIM.</th> <th colspan="2">CASE DIAMETER</th> </tr> <tr style="background-color: #008080; color: white;"> <th>100</th> <th>160</th> </tr> </thead> <tbody> <tr><td>A</td><td>101.5</td><td>162</td></tr> <tr><td>B</td><td>122**</td><td>122**</td></tr> <tr><td>C</td><td>53</td><td>53</td></tr> <tr><td>E</td><td>89</td><td>119</td></tr> <tr><td>T*</td><td>20</td><td>20</td></tr> </tbody> </table> <p style="text-align: center; font-size: small;">* standard connection 1/2"BSP or 1/2"NPT ** dimensions for 2" pipe size</p> <p style="text-align: center; font-size: small;">bracket for horizontal or vertical pipe mounting</p>	DIM.	CASE DIAMETER		100	160	A	101.5	162	B	122**	122**	C	53	53	E	89	119	T*	20	20															
DIM.	CASE DIAMETER																																				
	100	160																																			
A	101.5	162																																			
B	122**	122**																																			
C	53	53																																			
E	89	119																																			
T*	20	20																																			